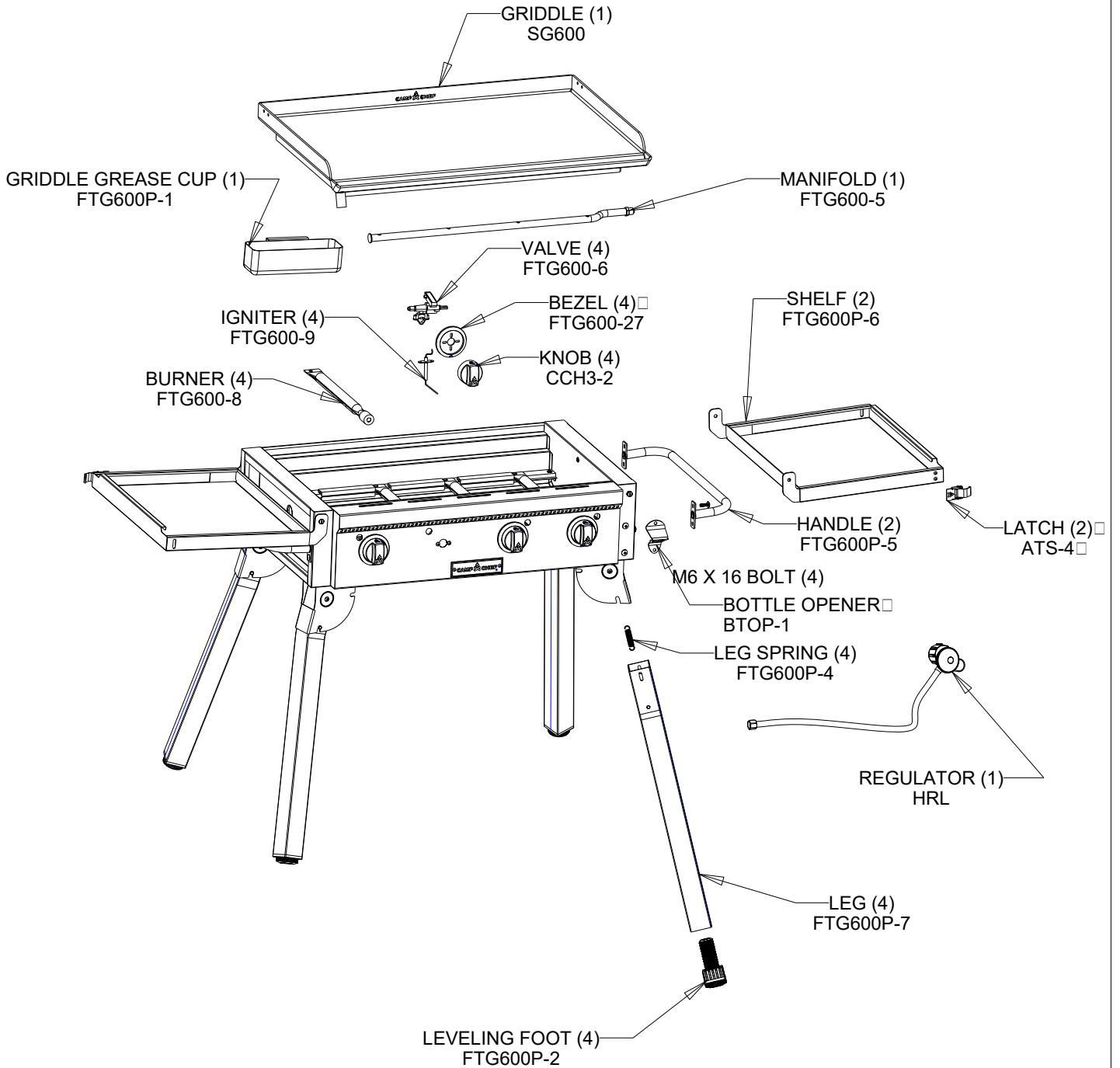
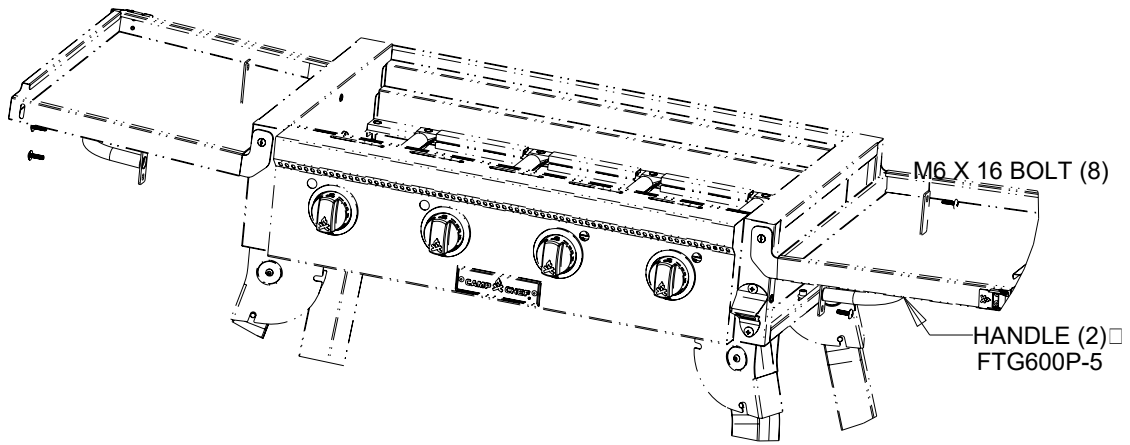
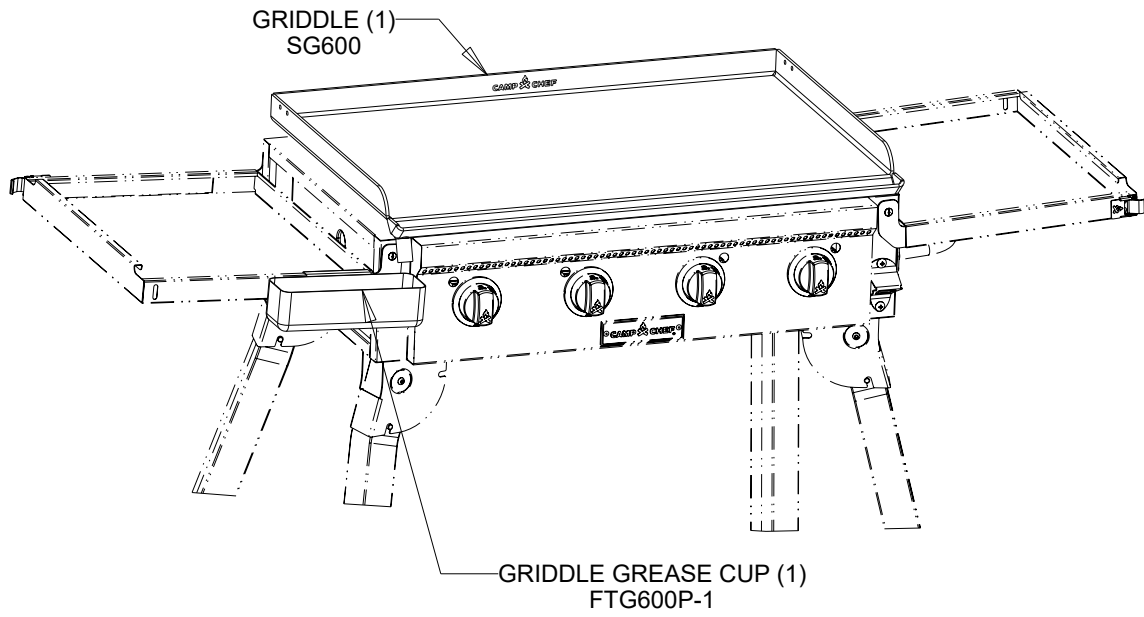
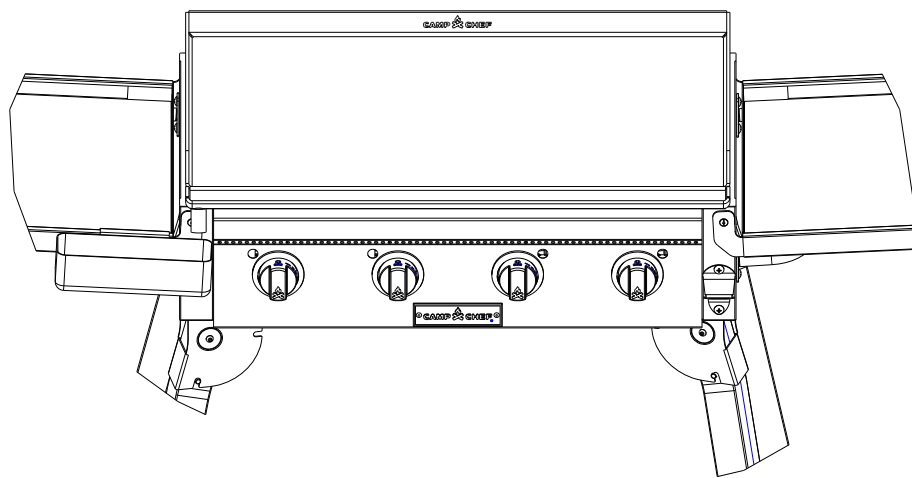


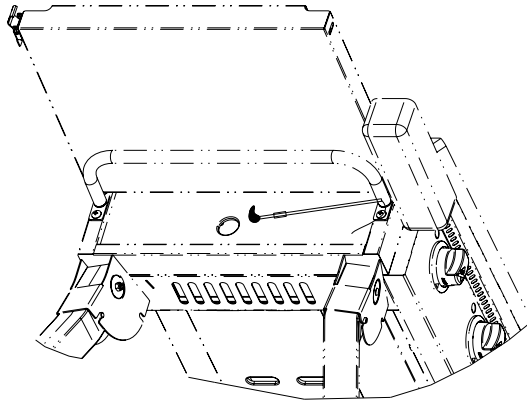
FTG600P PARTS











Match Ignition Hole

